

wp-18SC-TW

water-cooled



Different modular switch

units available:

- single push-button
- double push-button
- up/down (4 push-buttons)
- single push-button
with potentiometer

400 Amp./100% duty cycle (DC)
320 Amp./100% duty cycle (AC)

wp-18SC-TW

water-cooled

Equipment: **A** standard
B gas lens
D gas lens jumbo



HD-Collet L49mm
18 □ 4901
for 1,6/2,4/3,2/4,0/4,8
□ Please fill in size

Collet L50mm
17 □ 5002 for 1,0/1,6/2,4
18325002 for 3,2
□ Please fill in size

A

B

D



Insulator
18489001



Insulator
18489001



Gas lens insulator jumbo
Part No. 18489011



Collet body
for collets L49 and L50
up to 3,2 NCB-53
18496001



Gas lens
18496 □ 1
for 1,0/1,6/2,4/3,2/4,0/4,8
□ Please fill in size



Gas lens jumbo
18496 □ 2
for 1,0/1,6/2,4/3,2/4,0/4,8
□ Please fill in size

Collet body
for collets L49 from 1,6
up to 4,8 NCB-36
18496011



Ceramic nozzle L42mm
for gas lens
Please state size
Also available in
special lenght L76mm



Ceramic nozzle L42mm
for gas lens
Please state size
Also available in
special lenght L76mm



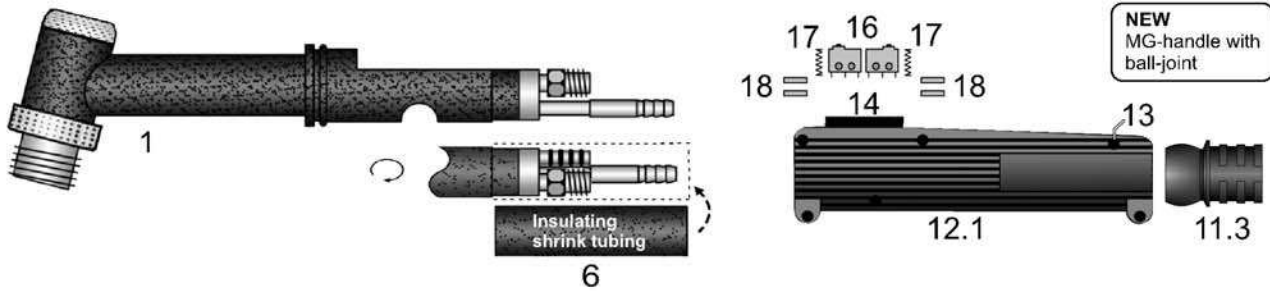
Ceramic nozzle L 48mm
for gas lens jumbo
Please state size

HSN 741

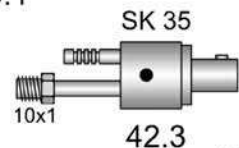
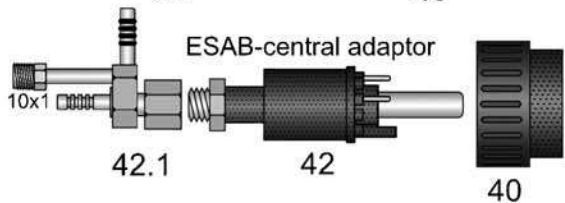
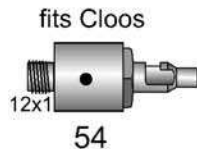
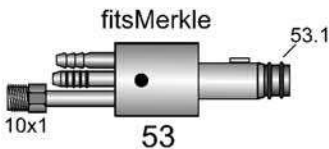
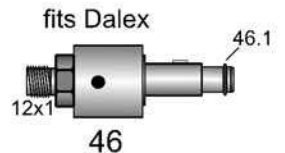
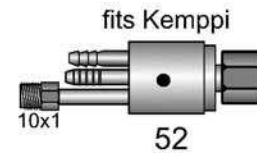
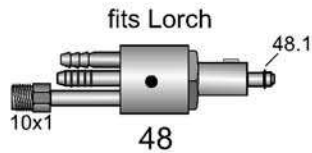
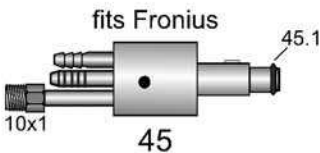
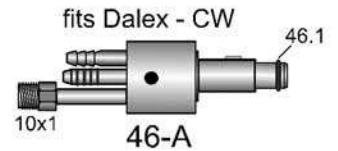
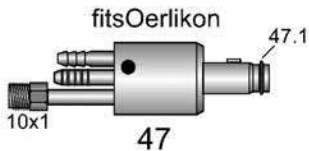
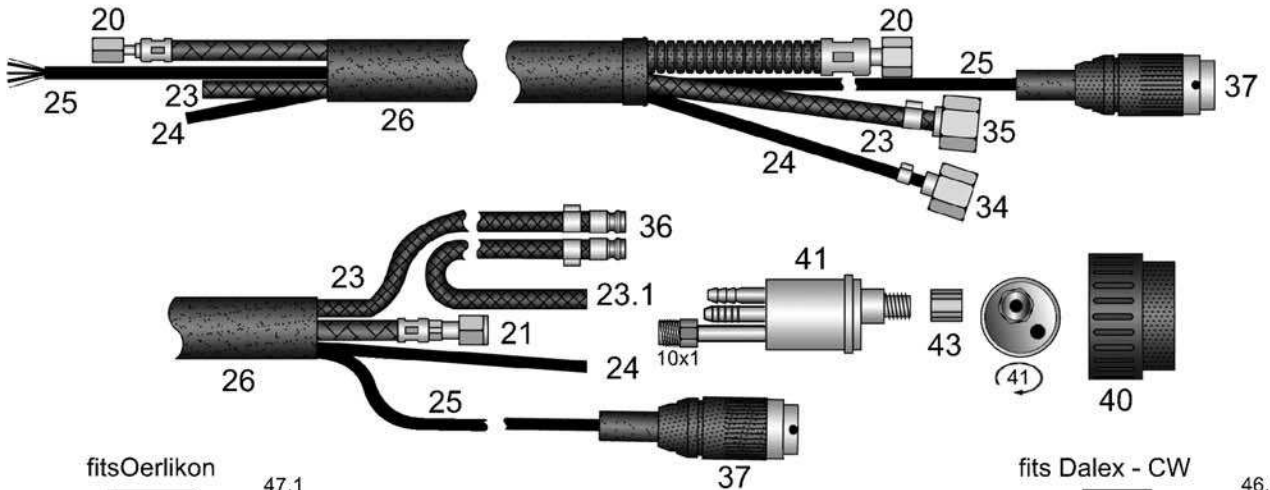
wp-18SC-TW water-cooled



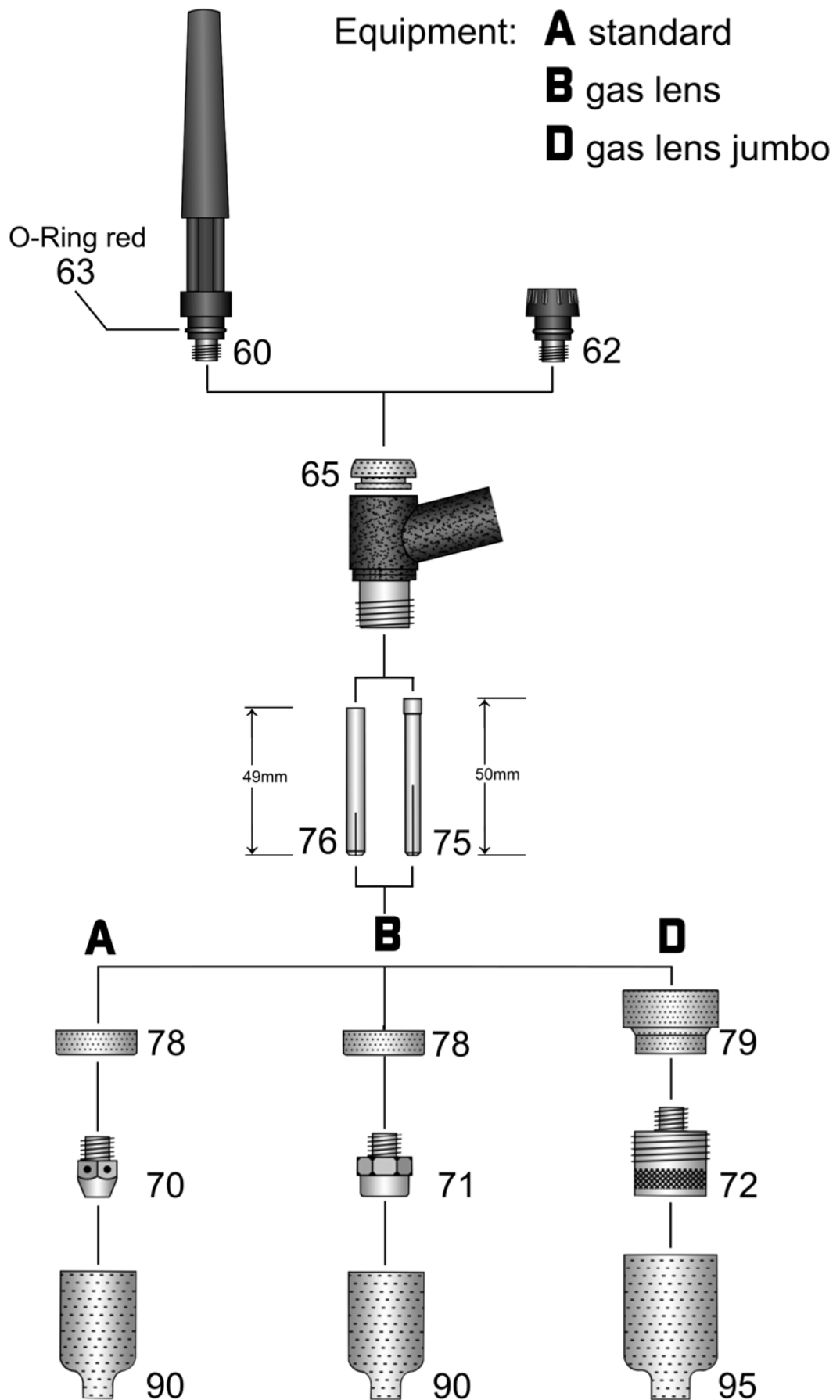
400 Ampere at 100% duty cycle (DC) - 320 Ampere at 100% duty cycle (AC)



Forma WIG-handle with ball joint and different modular switch units



HSN 532



wp-18SC-TW

Welding-torch TIG water-cooled

400A at 100% duty cycle (DC) - 320A at 100% duty cycle (AC)

Art.-No.

Torches with first meter leather hose. Prices without leather on request. Machine side separate connections with Tichel plug.

In variation to the torches listed below, the torches can also be produced with other power/ water cables (e.g. HT 180 silicone superflexible). This can also be combined with hoses in a lot of different qualities. Torches and cable assemblies can be produced in excess lengths. Please find the different options and surcharges in the attachment "Custom made products" appendix C. We produce torches for more than 40 different brands of machines with different connection systems.

18110401 Torch wp-18SC-TW / 4m spare cable assembly ST 80 PVC-NIT

18110801 Torch wp-18SC-TW / 8m spare cable assembly ST 80 PVC-NIT

The following torches are equipped with very flexible and heat resistant HT110 rubber fabric hoses.

1811040P Torch wp-18SC-TW / 4m spare cable assembly HT 110

1811080P Torch wp-18SC-TW / 8m spare cable assembly HT 110

TIG-spare cable assemblies in different qualities, machine side with separate connections and Tichel plug, or, if ordered so, with the following connection systems:

wig92402 TIG-spare cable assembly water-cooled 4m - please state desired design!

wig92802 TIG-spare cable assembly water-cooled 8m - please state desired design!

The following surcharges for machine side connections are only to find prices quickly. Please use our catalogue "TIG machine side connections" to find a "T" number which identifies a machine side connection system completely.

29002102 Surcharge: machine side power/water plug SK35 bayonet connection AD13mm

29000201 Surcharge: machine side with EURO central adapter

29002109 Surcharge: machine side power/water plug fits Merkle with 2 O-rings

29002106 Surcharge: machine side power/water plug fits Fronius with 1 O-ring

29002101 Surcharge: machine side power/water plug fits Dalex with 1 O-ring

29002108 Surcharge: machine side power/water plug fits Oerlikon with 1 O-ring

29002104 Surcharge: machine side power/water plug fits Lorch SK35 + gas-nipple

29002105 Surcharge: machine side power/water plug fits Kemppi IT-G1/4"

29002110 Surcharge: machine side power/water plug fits Cloos

29000212 Surcharge: machine side fits ESAB central adapter, 4 pins installed at position 3,4,5,6

poti2901 Surcharge: 1 button with additional potentiometer

ud290001 Surcharge: 4 switches > up / down

Please note that there might be additional charges for special control line plugs. See appendix D.

1 18119101 Torch body wp-18SC-TW

6 18050002 Ignition insulating hose L75mm / ID39mm down to ID13mm

11.1 91914601 Forma TIG handle with screws, ball joint, without modular switch unit

11.2 91914602 Forma screw for handle

11.3 91914603 Forma hose bracket with ball joint ID21,5mm (also fits MG-handle)

11.4 91914611 Forma modular switch unit: 1 button with connecting adapter

11.5 91914621 Forma modular switch unit: 2 buttons with connecting adapter

11.6 91914631 Forma modular switch unit: 1 button + potentiometer (10k) with connecting adapter

11.7 91914641 Forma modular switch unit: 2 buttons + up/down (4 switches) with connecting adapter

11.8 91914651 Forma connecting adapter fits control line to modular switch unit

N.i. 91914661 Forma switch module safety nipple

wp-18SC-TW

Welding-torch TIG water-cooled

400A at 100% duty cycle (DC) - 320A at 100% duty cycle (AC)

Art.-No.

12.1	91914061	MG-handle with ball joint, push-button, 2 return springs, 2 microswitches and 4 cylindrical pins
13	91914421	MG-tapping screw
14	91915002	MG-push button
16	91914121	MG-microswitch
17	91914221	MG-return spring
18	91914321	MG-cylindrical pin

Please state the machine side connection for the following power/ water cables.

For 4m long torches:

20	18943401	ST 80 PVC-NIT power/water cable 17,31mm ² wp-18SC-TW / 4m
20	18943404	HT 105 PVC-NIT power/water cable 17,31mm ² wp-18SC-TW / 4m
20	18943403	HT 110 rubber fabric hose power/water cable 17,31mm ² wp-18SC-TW / 4m
20	18943405	HT 130 TPE power/water cable 17,31mm ² wp-18SC-TW / 4m
20	18943408	HT 180 silicone super flexible power/water cable 17,31mm ² wp-18SC-TW / 4m

For 8m long torches:

20	18943801	ST 80 PVC-NIT power/water cable 17,31mm ² wp-18SC-TW / 8m
20	18943804	HT 105 PVC-NIT power/water cable 17,31mm ² wp-18SC-TW / 8m
20	18943803	HT 110 rubber fabric hose power/water cable 17,31mm ² wp-18SC-TW / 8m
20	18943805	HT 130 TPE power/water cable 17,31mm ² wp-18SC-TW / 8m
20	18943808	HT 180 silicone super flexible power/water cable 17,31mm ² wp-18SC-TW / 8m

The following power/ water cables are produced with M10x1 inner thread at the machine side for EURO central adapters. (fits to all Holch connection systems with outer thread M10x1).

For 4m long torches:

21	18943411	ST 80 PVC-NIT power/water cable 17,31mm ² wp-18SC-TW / 4m
21	18943414	HT 105 PVC-NIT power/water cable 17,31mm ² wp-18SC-TW / 4m
21	18943413	HT 110 rubber fabric hose power/water cable 17,31mm ² wp-18SC-TW / 4m
21	18943415	HT 130 TPE power/water cable 17,31mm ² wp-18SC-TW / 4m
21	18943418	HT 180 silicone super flexible power/water cable 17,31mm ² wp-18SC-TW / 4m

For 8m long torches:

21	18943811	ST 80 PVC-NIT power/water cable 17,31mm ² wp-18SC-TW / 8m
21	18943814	HT 105 PVC-NIT power/water cable 17,31mm ² wp-18SC-TW / 8m
21	18943813	HT 110 rubber fabric hose power/water cable 17,31mm ² wp-18SC-TW / 8m
21	18943815	HT 130 TPE power/water cable 17,31mm ² wp-18SC-TW / 8m
21	18943818	HT 180 silicone super flexible power/water cable 17,31mm ² wp-18SC-TW / 8m

Reel goods:

Prices are per meter and only applicable for purchasing of complete rolls

23	50150001	Meter ST 80 PVC-NIT fabric hose ID5,0-W1,5mm blue for water (100m)
23	51700002	Meter HT 110 rubber fabric hose ID5,0-W1,7mm blue for water (100m)
23.1	50151001	Meter ST 80 PVC-NIT fabric hose ID5,0-W1,5mm red for water (100m)
23.1	51700003	Meter HT 110 rubber fabric hose ID5,0-W1,7mm red for water (100m)
24	31000001	Meter ST 70 PVC hose ID3,0-W1,0mm black for gas (100m)
24	51700001	Meter HT 110 rubber fabric hose ID5,0-W1,7mm black for gas (100m)
24	31200001	Meter HT 130 PUR hose ID3-W1,2mm black for gas (100m)

N.i. 91902701 Meter control line 3x0,34mm² shielded black (100m)

N.i. 91902711 Meter control line 3x0,5mm² red (100m)

25 91902721 Meter control line 5x0,25mm² grey (100m)

26 22150002 Meter neoprene protective hose ID22mm black (40m)

wp-18SC-TW

Welding-torch TIG water-cooled

400A at 100% duty cycle (DC) - 320A at 100% duty cycle (AC)

Art.-No.		
N.i.	91915004	Leather protective hose ID22mm / 1 meter long
N.i.	91915007	Leather protective hose ID22mm / 1 meter long with ball joint and hose connector
N.i.	91915003	Hose connector leather protective hose / protection hose ID19,5mm
34	91901501	Coupling nut IT-G1/4"
N.i.	91901211	Hose connector 4mm fits coupling nut R1/4"
35	91901601	Coupling nut IT-G3/8"
N.i.	91901301	Hose connector 5mm fits Coupling nut R3/8"
36	91901001	Cooling liquid plug nipples EURO
N.i.	91901008	Closing cap blue fits cooling liquid plug nipples EURO
N.i.	91901009	Closing cap red fits cooling liquid plug nipples EURO
37	91904101	Plug 3-poles Tuchel with bayonet-catch
37	91904111	Plug 5-poles Tuchel with bayonet-catch
More control line plugs see appendix D		
40	91900701	Terminal nut insulated fits EURO central adapter
41	91900211	TIG central adapter EURO central adapter water cooled
42	91900301	TIG central adapter identical ESAB, 4 contact pins at position 3,4,5,6
42.1	91918571	TIG power/cooling liquid junction fits ESAB central adapter
42.3	91918312	TIG central adapter SK-35 bayonet connection AD13mm
43	91900901	Coupling nut IT-M10x1 (rounded edges) fits EURO central adapter
45	91918327	Power/water plug fits Fronius with 1 O-ring (OT-M10x1 / like EURO central adapter)
45.1	62190001	O-ring ID6,2-W1,9mm fits Fronius
46	9190417e	Power/water plug fits Dalex (1 O-ring) (OT-12x1)
46-A	9190418n	Power-/gasplug fits Dalex with waterdeviation to outside, CW-System with 1 O-ring
46.1	63240001	O-ring ID6,3-W2,4mm fits Dalex
47	9190423n	Power/water plug fits Oerlikon with 1 O-ring (OT-M10x1 / like EURO central adapter)
47.1	60717801	O-ring ID6,07-W1,78mm fits Oerlikon
48	9190420n	Power/water plug fits Lorch SK35 + gas-nipple (OT-10x1 / like EURO central adapter)
48.1	91900801	O-ring ID4-W1mm fits gas-nipple EURO central adapter
o.A	91900552	TIG cable support long (like MIG-MAG) with screws fits ESAB central adapter
N.i.	91900554	Attachment screw M4x8mm fits ESAB central adapter
49	91900557	TIG cable support short with screws (fits water-cooled)
N.i.	91920702	Screw M3x11,5mm for Ratio/Industry/RAUCH handle and cable support
N.i.	91920703	M3 mounting socket for Ratio/Industry/RAUCH handle and cable support
o.A.	91900602	Screw M4x6mm for TIG cable support short
49.1	91901012	Reduction-eyelet (rubber) from ID10,5mm to ID5mm fits TIG cable support short
N.i.	91921701	PUR hose ID8,5-W1,0mm 150mm long fits leading water hoses into cable support
50	91912801	Spring-socket EURO central adapter
51	91912601	Cable support spring fits EURO / ESAB central adapter
52	9190419n	Power/water plug fits Kemppi IT-G1/4" (AG-M10x1 / like EURO central adapter)
53	9190424n	Power/water plug fits Merkle with 2 O-rings (OT-M10x1 / like EURO central adapter)
53.1	81600001	O-ring ID8-W1,6mm fits Lorch/Merkle
54	9190415n	Powerplug fits Cloos (special-plug) (OT-12x1)
60	17191311	Holch back cap long (USA version with red O-ring) SR 17-18-26 57Y02

wp-18SC-TW

Welding-torch TIG water-cooled

400A at 100% duty cycle (DC) - 320A at 100% duty cycle (AC)

Art.-No.		
62	17191301	Holch back cap short (USA version with red O-ring) SR 17-18-26 57Y04
63	17189001	O-ring red ID8-W2mm for back cap
65	17289001	PTFE-back-cap gasket ring SR 17-18-26 18-7
70	18496001	Collet body for collets L49mm and L50mm up to 3,2 NCB-53
70	18496011	Collet body for collets L49mm from 1,6 up to 4,8 NCB-36
71	18496101	Gas lens wp-18SC / 1,0 18GL04
71	18496161	Gas lens wp-18SC / 1,6 18GL16
71	18496241	Gas lens wp-18SC / 2,4 18GL32
71	18496321	Gas lens wp-18SC / 3,2 18GL18
71	18496401	Gas lens wp-18SC / 4,0 18GL53
71	18496481	Gas lens wp-18SC / 4,8 18GL36
72	18496102	Jumbo gas lens wp-18SC / 1,0
72	18496162	Jumbo gas lens wp-18SC / 1,6 45V95
72	18496242	Jumbo gas lens wp-18SC / 2,4 45V96
72	18496322	Jumbo gas lens wp-18SC / 3,2 45V97
72	18496402	Jumbo gas lens wp-18SC / 4,0 45V98
72	18496482	Jumbo gas lens wp-18SC / 4,8 45V99
Brazen collets L-50mm suitable equipment line (A) standard collet body suitable equipment line (B) gas lens suitable equipment line (D) gas lens jumbo		
75	17105002	Collet L50mm SR 17-18-26 wp-18SC / 1,0 10N22
75	17165002	Collet L50mm SR 17-18-26 wp-18SC / 1,6 10N23
75	17245002	Collet L50mm SR 17-18-26 wp-18SC / 2,4 10N24
75	18325002	Collet L50mm SR 17-18-26 wp-18SC / 3,2 10N25
HL-Brazen collets L-49mm suitable equipment line (A) standard collet body suitable equipment line (B) gas lens suitable equipment line (D) gas lens jumbo		
76	18164901	HD-collet L49mm wp-18SC / 1,6
76	18244901	HD-collet L49mm wp-18SC / 2,4
76	18324901	HD-collet L49mm wp-18SC / 3,2 10N25HD
76	18404901	HD-collet L49mm wp-18SC / 4,0 54N20HD
76	18484901	HD-collet L49mm wp-18SC / 4,8 18C36
78	18489001	PTFE-Ceramic gas nozzle insulation wp-18SC 18NG
79	18489011	PTFE-Gas-lens insulator Jumbo wp-18SC 18NG-GL
Ceramic gas nozzles different lengths suitable equipment line (A) standard collet body suitable equipment line (B) gas lens		
90	22093041	Gas nozzle for gas lens L42mm / Gr.4 54N18 (pu=10pieces)
90	22093051	Gas nozzle for gas lens L42mm / Gr.5 54N17 (pu=10pieces)
90	22093061	Gas nozzle for gas lens L42mm / Gr.6 54N16 (pu=10pieces)
90	22093071	Gas nozzle for gas lens L42mm / Gr.7 54N15 (pu=10pieces)
90	22093081	Gas nozzle for gas lens L42mm / Gr.8 54N14 (pu=10pieces)
90	22093111	Gas nozzle for gas lens L42mm / Gr.11 54N19-11 (pu=10pieces)

wp-18SC-TW

Welding-torch TIG water-cooled

400A at 100% duty cycle (DC) - 320A at 100% duty cycle (AC)

Art.-No.		
90	22093121	Gas nozzle for gas lens L42mm / Gr.12 54N19 (pu= 10pieces)
N.i.	22093054	Gas nozzle for gas lens L76mm / Gr.5 54N17L (pu= 10pieces)
N.i.	22093064	Gas nozzle for gas lens L76mm / Gr.6 54N16L (pu= 10pieces)
N.i.	22093074	Gas nozzle for gas lens L76mm / Gr.7 54N15L (pu= 10pieces)
N.i.	22093084	Gas nozzle for gas lens L76mm / Gr.8 54N14L (pu= 10pieces)
Ceramic gas nozzles jumbo in different lengths suitable equipment line (D) gas lens jumbo		
95	22093066	Jumbo gas nozzle L48mm / Gr.6 57N75 (pu= 10pieces)
95	22093086	Jumbo gas nozzle L48mm / Gr.8 57N74 (pu= 10pieces)
95	22093106	Jumbo gas nozzle L48mm / Gr.10 53N88 (pu= 10pieces)
95	22093126	Jumbo gas nozzle L48mm / Gr.12 53N87 (pu= 10pieces)
N.i.	22093067	Jumbo gas nozzle L73mm / Gr.6 57N75L (pu= 10pieces)
N.i.	22093087	Jumbo gas nozzle L73mm / Gr.8 57N74L (pu= 10pieces)
N.i.	22093107	Jumbo gas nozzle L73mm / Gr.10 53N88L (pu= 10pieces)
N.i.	22093127	Jumbo gas nozzle L73mm / Gr.12 53N87L (pu= 10pieces)
Top quality tungsten electrodes in 9 different qualities, see appendix A.		