

AUT 210-S

gas-cooled



240 Amp./100% duty cycle (DC)
200 Amp./100% duty cycle (AC)

AUT 210-S

gas-cooled

Equipment: **gas lens**



Torch body



O-ring ID19-W2,4mm
21089001

Fabric base laminated socket
21089011



Ceramic gas nozzle gasket dagged
21089021



Collet L50mm
17□5002 for 1,0/1,6/2,4
18325002 for 3,2
□ Please fill in size



Gas lens
21096□1 for 1,0/1,6/2,4/3,2
□ Please fill in size



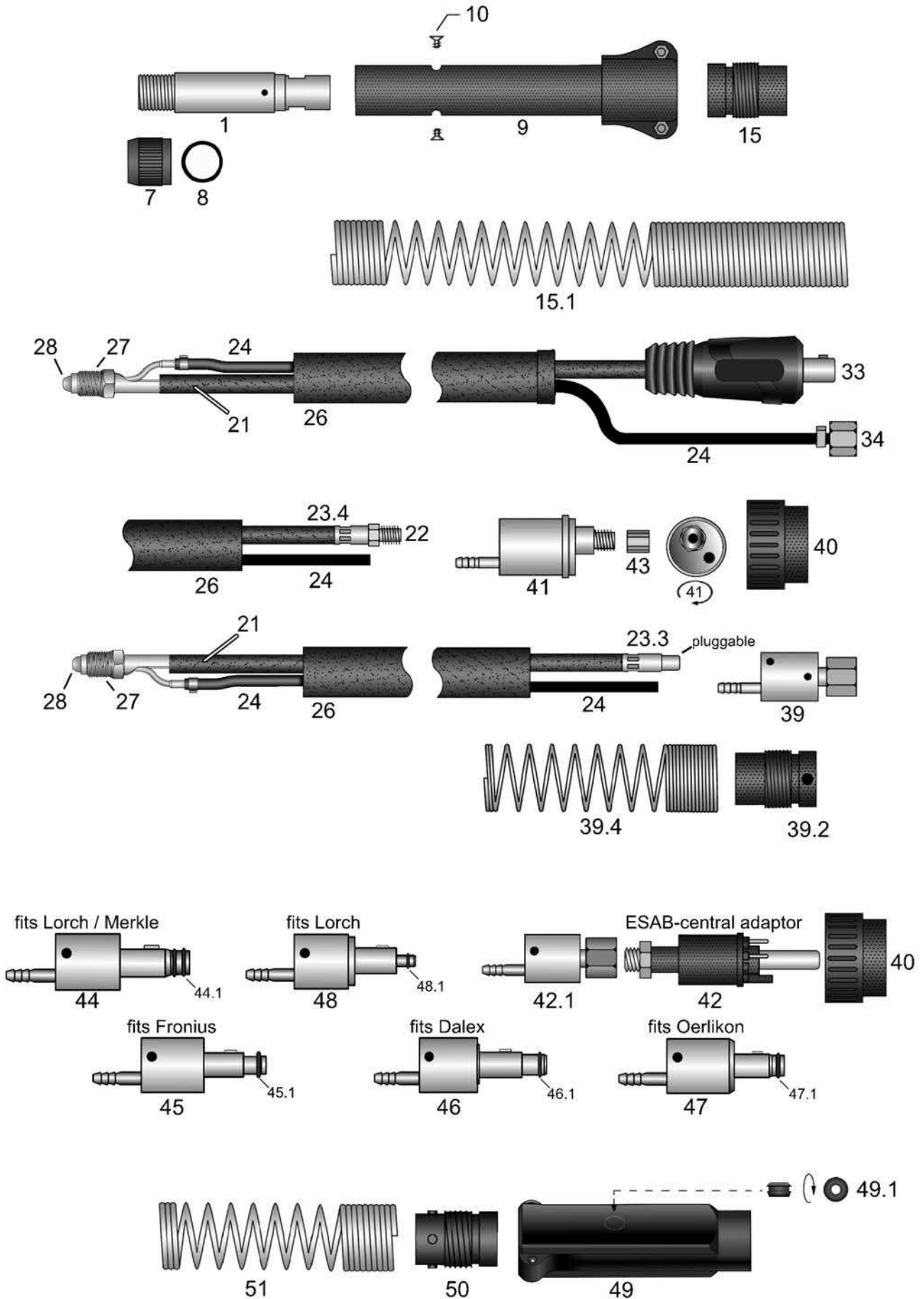
Ceramic nozzle
for gas lens
Please state size
Also available in
special length 76mm

HSN 745



AUT 210-S gas-cooled

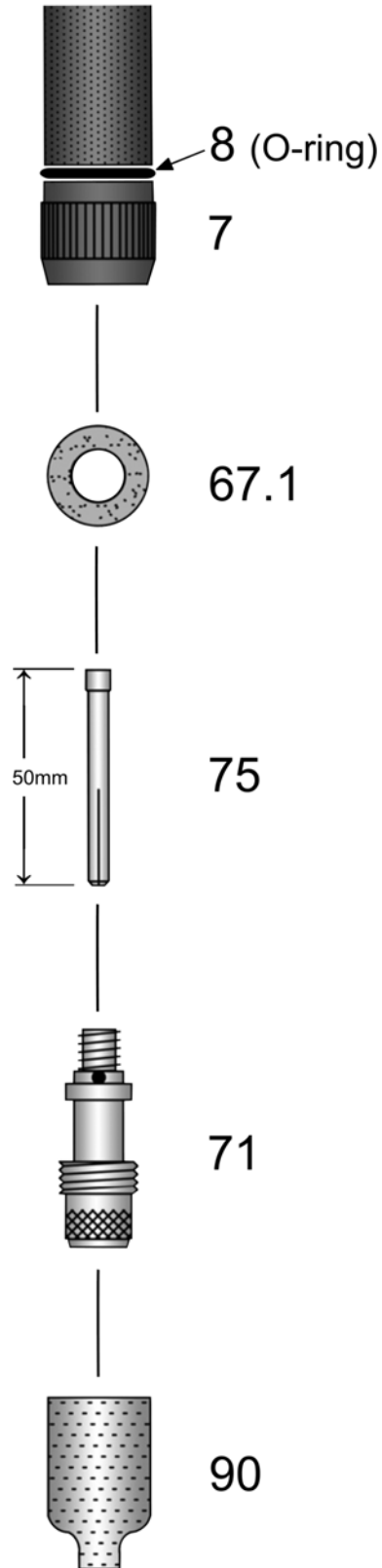
240 Ampere at 100% duty cycle (DC) - 200 Ampere at 100% duty cycle (AC)



HSN 526



Equipment: **gas lens**



AUT 210-S

Welding-torch TIG gas-cooled

240A at 100% duty cycle (DC) - 200A at 100% duty cycle (AC)

Art.-No.

Torches without leatherhose. Machine side separate connections.

Torches and cable assemblies can be produced in excess lengths. Please find the different options and surcharges in the attachment "Custom made products" appendix C. We produce torches for more than 40 different brands of machines with different connection systems.

21000401 AUTomatic-torch 210-S / 4m 35mm²

21000801 AUTomatic-torch 210-S / 8m 35mm²

TIG-spare cable assemblies in different qualities, machine side with separate connections and Tuchel plug, or, if ordered so, with the following connection systems:

wig92401 TIG-spare cable assembly gas-cooled 4m - please state desired design!

wig92801 TIG-spare cable assembly gas-cooled 8m - please state desired design!

The following surcharges for machine side connections are only to find prices quickly. Please use our catalogue "TIG machine side connections" to find a "T" number which identifies a machine side connection system completely.

29000101 Surcharge: machine side with EURO central adapter

29002005 Surcharge: machine side power/gas plug fits Lorch/Merkle with 2 O-rings

29002004 Surcharge: machine side power/gas plug fits Fronius with 1 O-ring

29002006 Surcharge: machine side power/gas plug fits Dalex with 1 O-ring

29002107 Surcharge: machine side power/gas plug fits Oerlikon with 1 O-ring

29002002 Surcharge: machine side power/gas plug fits Lorch SK35 + gas-nipple

29000112 Surcharge: machine side fits ESAB central adapter, 4 pins installed at position 3,4,5,6

1 21091001 AUTomatic-torch body

7 21089011 Fabric base laminated socket

8 21089001 O-ring ID19-W2,4

9 21088003 Fabric base laminated handling tube AD27mm

10 21088101 Attachment screw plastic M4x6mm

15 91918541 TIG spring socket small power gas junction (pgj)

15.1 91912511 AUT cable support spring (long design)

20 26940403 Power cable 35mm² SR 26 / 4m fits power/gas plugs + power gas junction (pgj)

20 26940803 Power cable 35mm² SR 26 / 8m fits power/gas plugs + power gas junction (pgj)

21 26940402 Power cable 35mm² SR 26 / 4m with SK25 or SK-35 <--- please state!

21 26940802 Power cable 35mm² SR 26 / 8m with SK25 or SK-35 <--- please state!

22 26940404 Power cable 35mm² SR 26 / 4m EURO fits central adapter (OT-M10x1)

22 26940804 Power cable 35mm² SR 26 / 8m EURO fits central adapter (OT-M10x1)

23.3 22089057 TIG-Power cable connector plugable ID8,2mm fits 35mm²

23.4 22089054 TIG-Power cable connector OT-M10x1 ID8,2mm fits 35mm²

Reel goods:

Prices are per meter and only applicable for purchasing of complete rolls

24 41500001 Meter ST 70 PVC hose ID4,0-W1,5mm black for gas (100m)

26 22150002 Meter neoprene protective hose ID22mm black (40m)

27 91907601 Power cable connector separate lines OT-5/8"UNF-right-hand thread

AUT 210-S

Welding-torch TIG gas-cooled

240A at 100% duty cycle (DC) - 200A at 100% duty cycle (AC)

Art.-No.		
28	91907612	Hose connector L105mm SR 26 pistol side
33	91918201	Powercable-plug SK-25 bayonet connection AD8mm
33	91918301	Powercable-plug SK-35 bayonet connection AD13mm
34	91901501	Coupling nut IT-G1/4"
N.i.	91901211	Hose connector 4mm fits coupling nut R1/4"
39	91918521	TIG power gas junction (pgj) with connection: IT-G1/8"
39	91918522	TIG power gas junction (pgj) with connection: IT-G1/4"
39	91918523	TIG power gas junction (pgj) with connection: IT-G3/8"
N.i.	91918551	Attachment screw (plastic) M5x12mm for power gas junction (pgj)
N.i.	91918552	3 grommets for attachment screws M5x12mm power gas junction (pgj)
N.i.	91918542	Section of insulating-hose ID35-L80mm power gas junction (pgj)
39.2	91918541	TIG spring socket small power gas junction (pgj)
39.4	91918531	Cable support spring L125mm for power gas junction (pgj)
40	91900701	Terminal nut insulated fits EURO central adapter
41	91900122	TIG central adapter EURO (fits separate lines)
42	91900301	TIG central adapter identical ESAB, 4 contact pins at position 3,4,5,6
42.1	91918561	TIG power gas junction (pgj) fits ESAB central adapter
43	91900901	Coupling nut IT-M10x1 (rounded edges) fits EURO central adapter
44	9190411n	Power/gas plug fits Lorch / Merkle with 2 O-rings / power connection like pgj
44.1	81600001	O-ring ID8-W1,6mm fits Lorch/Merkle
45	91918326	Power/gas plug fits Fronius with 1 O-ring / power connection like pgj
45.1	62190001	O-ring ID6,2-W1,9mm fits Fronius
46	9190416e	Power/gas plug fits Dalex with 1 O-ring / power connection like pgj
46.1	63240001	O-ring ID6,3-W2,4mm fits Dalex
47	9190422n	Power/gas plug fits Oerlikon with 1 O-ring / power connection like pgj
47.1	60717801	O-ring ID6,07-W1,78mm fits Oerlikon
48	9190421n	Power/gas plug fits Lorch Sk35 + gas-nipple / power connection like pgj
48.1	91900801	O-ring ID4-W1mm fits gas-nipple EURO central adapter
N.i.	91900552	TIG cable support long (like MIG-MAG) with screws fits ESAB central adapter
N.i.	91900554	Attachment screw M4x8mm fits ESAB central adapter
49	91900556	TIG cable support short with screws (fits gas-cooled)
N.i.	91920702	Screw M3x11,5mm for Ratio/Industry/RAUCH handle and cable support
N.i.	91920703	M3 mounting socket for Ratio/Industry/RAUCH handle and cable support
o.A.	91900602	Screw M4x6mm for TIG cable support short
49.1	91901012	Reduction-eyelet (rubber) from ID10,5mm to ID5mm fits TIG cable support short
50	91912801	Spring-socket EURO central adapter
51	91912601	Cable support spring fits EURO / ESAB central adapter
67.1	21089021	Gas nozzle gasket dagged
71	21096101	Gas lens 210-S / 1,0
71	21096161	Gas lens 210-S / 1,6
71	21096241	Gas lens 210-S / 2,4
71	21096321	Gas lens 210-S / 3,2
75	17105002	Collet L50mm SR 17-18-26 wp-18SC / 1,0 10N22

AUT 210-S

Welding-torch TIG gas-cooled

240A at 100% duty cycle (DC) - 200A at 100% duty cycle (AC)

Art.-No.		
75	17165002	Collet L50mm SR 17-18-26 wp-18SC / 1,6 10N23
75	17245002	Collet L50mm SR 17-18-26 wp-18SC / 2,4 10N24
75	18325002	Collet L50mm SR 17-18-26 wp-18SC / 3,2 10N25
90	22093041	Gas nozzle for gas lens L42mm / Gr.4 54N18 (pu= 10pieces)
90	22093051	Gas nozzle for gas lens L42mm / Gr.5 54N17 (pu= 10pieces)
90	22093061	Gas nozzle for gas lens L42mm / Gr.6 54N16 (pu= 10pieces)
90	22093071	Gas nozzle for gas lens L42mm / Gr.7 54N15 (pu= 10pieces)
90	22093081	Gas nozzle for gas lens L42mm / Gr.8 54N14 (pu= 10pieces)
90	22093111	Gas nozzle for gas lens L42mm / Gr.11 54N19-11 (pu= 10pieces)
90	22093121	Gas nozzle for gas lens L42mm / Gr.12 54N19 (pu= 10pieces)
N.i.	22093054	Gas nozzle for gas lens L76mm / Gr.5 54N17L (pu= 10pieces)
N.i.	22093064	Gas nozzle for gas lens L76mm / Gr.6 54N16L (pu= 10pieces)
N.i.	22093074	Gas nozzle for gas lens L76mm / Gr.7 54N15L (pu= 10pieces)
N.i.	22093084	Gas nozzle for gas lens L76mm / Gr.8 54N14L (pu= 10pieces)

Top quality tungsten electrodes in 9 different qualities, see appendix A.